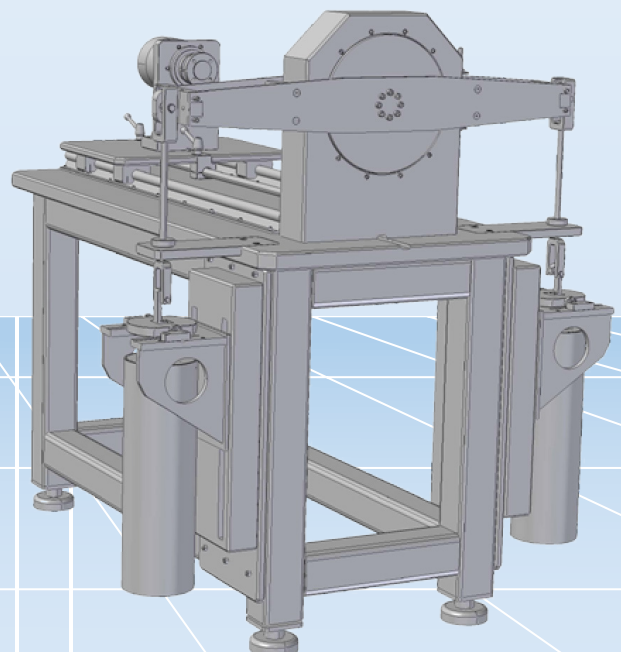
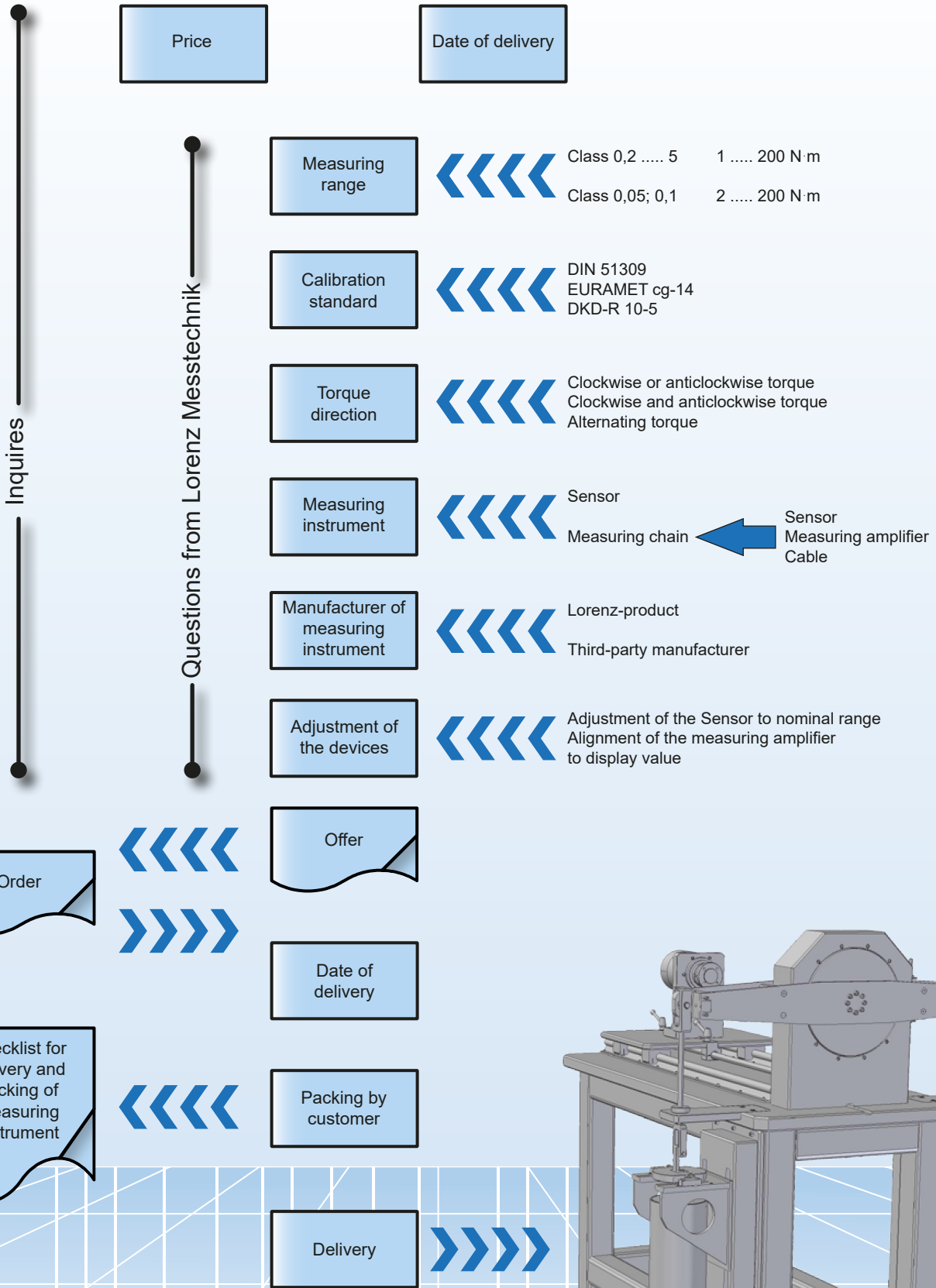


# From the inquiry to the delivery of a DAkkS-calibration



For brisk handling of a calibration order following devices and accessories are necessary:

Delivery of		Remark
1. Sensor		
	Data sheet of sensor	not for Lorenz products
	Dimension sheet of sensor	not for Lorenz products
	Pin assignment of sensor	not for Lorenz products
2. Meas. amplifier		if calibration of meas. Chain is intended
	Operating instruction	not for Lorenz products
3. Meas. cable		if calibration is intended with provided cable
4. Supply unit		if not integrated in the meas. amplifier
	Operating instruction	not for Lorenz products

Equip all instruments and cables with ID-number.

**Packing of measuring instruments:**

Pack measuring instrument into a lockable plastic bag for protection from humidity

Pack measuring instrument into as sturdy box, which offers protection from impacts and humidity

Seal package well

Pack measuring instruments individually (impact protection).